

WIZARD RAIL W150 R

LIFTKON

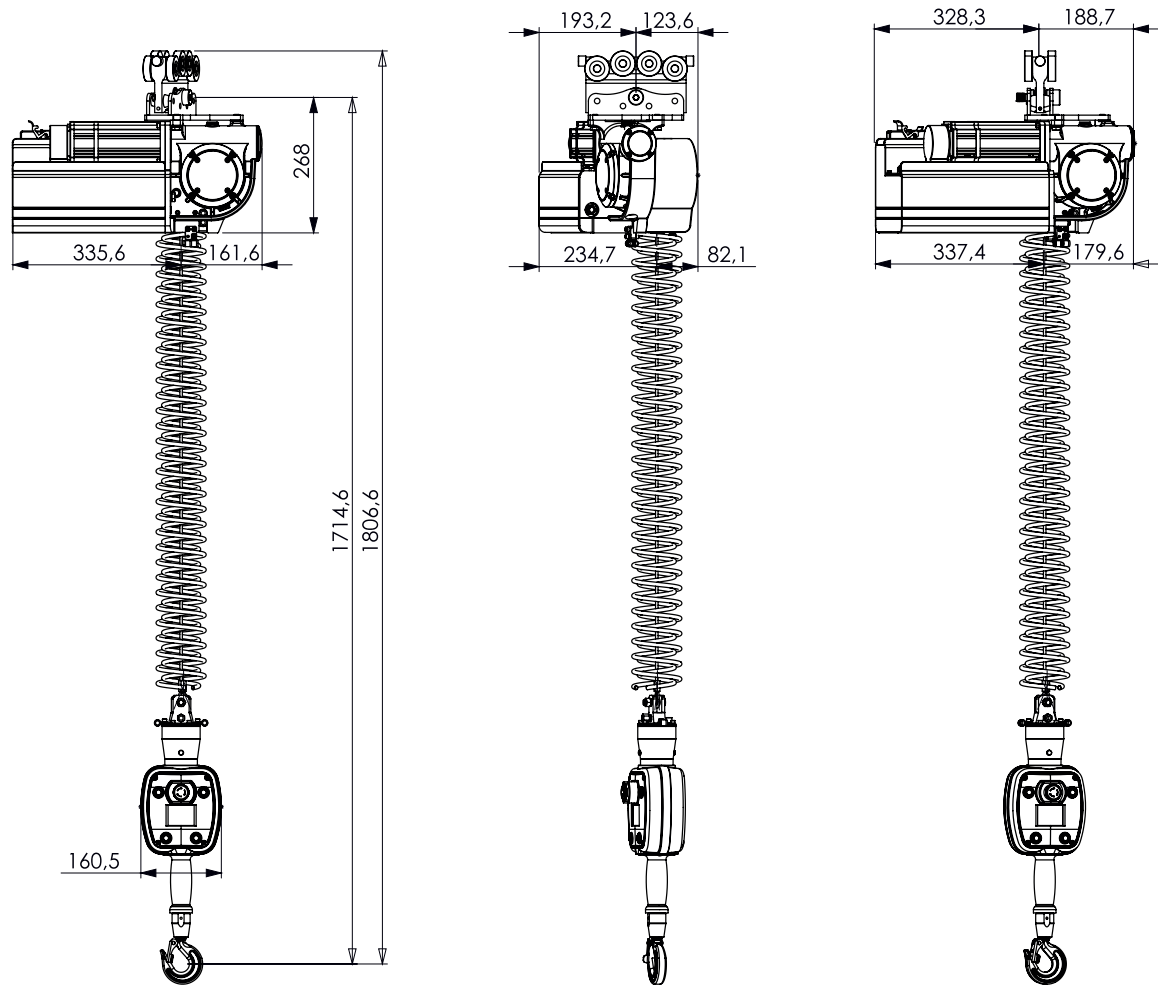
Liftkon develops electronical rope balancers for manual handling technique, designed for rail systems or mounted on columns. The portfolio offers various weight categories as well as arm lengths for individual applications.



Details make Wizard unique ...

..and you can benefit from it

- Application of a measuring cell
The application of a measuring cell leads to an optimum running performance of the unit. The weight of the load will be weight out and displayed exactly.
- Swivel included as a standard
Available as standard, a rotary unit is installed on the operating handle. This enables endless turning and movement of the load.
- Winding protection
Due to an effective winding protection entangled ropes are things of the past. For simple maintenance the rope can be uncoiled and rolled up by means of two additional buttons.
- Only one running trolley
Specific design allows the use of one trolley only. This reduces costs and installation effort.



Technical Data

Load Capacity	max. 150 kg
Power supply	230 V / 1700 VA
Drive	Servomotor
Lifting speed	392 mm/s
Installation	In all types of rail systems
Control	The ups and downs are initiated by operating handle or operating unit. Upon release the handle motion is immediately stopped.
Unit weight	30 kg

LIFTKON GmbH
 Kanalstraße 25 • 73061 Ebersbach/Fils
 Telefon +49 (0)7163 99883-00 • Telefax +49 (0)7163 99883-01
 info@liftkon.de • www.liftkon.de

Liftkon GmbH disclaims all responsibilities for correctness and completeness for the information published in this document and reserves the right to make changes at any time.